

The logo for STOMET, featuring the word "STOMET" in a bold, white, sans-serif font. The letter "O" is replaced by a solid orange circle with a white outline. The background is a dark, grayscale image of industrial machinery with a semi-transparent circular graphic overlay.

STOMET

**Customer
satisfaction**
above all

Mission

STOMET Ltd. will be a professional company operating in the metal sector, creating economic added value in separate internal units thanks to effective organization and management system.

All our activities are determined by the basic principles underpinning the **company's philosophy**:

Our customer in the most important

Our superior goal is the **timely provision of services** in line with the needs of our customer

The company's most important resource is its **employees**

About us

Company has been
operating since

1992

Employment

140

engineering and technical
staff included: **38 persons**

Sales revenue

13,5 mil EUR

/year

Investments

0,7 mil EUR

/year

CAD/CAM
software

**Siemens NX
Teamcenter**

3/5 axis CNC
milling machine

9 pcs

CNC lathe

14 pcs

EDM/WEDM

4 pcs

Automatic cutting
machines

4 pcs

Organization of the company

Internally separated business units operate based on their own engineering and technical resources and production facilities



Metal parts

Metal parts manufacturing | CNC Machining



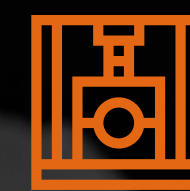
Machines and equipment

Custom-built machines
Automation and robotics



Relocation and services

Maintenance services
Relocations and transfers



Molds and tools

Injection molds
Custom-built tools



Metal parts manufacturing

STOMET is a specialist in serial production of various geometry metal elements used mainly in automotive industry.

Our business area covers production of prototypes as well as serial production of diverse metal parts.





CNC Machining

We offer production and delivery of metal parts as well as CNC machining service.

Available production capacity and competences allows the company to perform various machining processes including 3 and 5 axis milling, lathing and EDM/WEDM.

STOMET can completely satisfy full range of customer's needs.

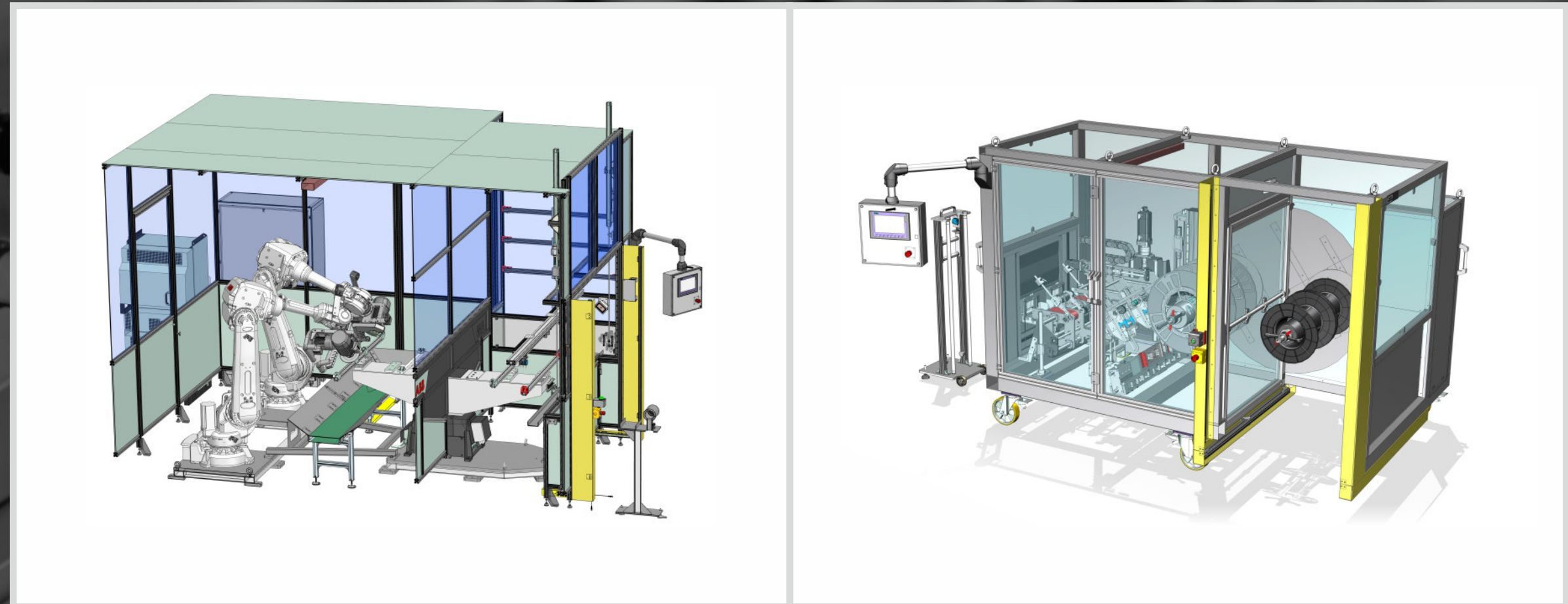


We offer comprehensive services in terms of design, manufacturing and implementation of special machines covering also use of automatization and robotization.

We specialize in production of machines and devices connected with processing of rubber and plastics.



Custom- built machines

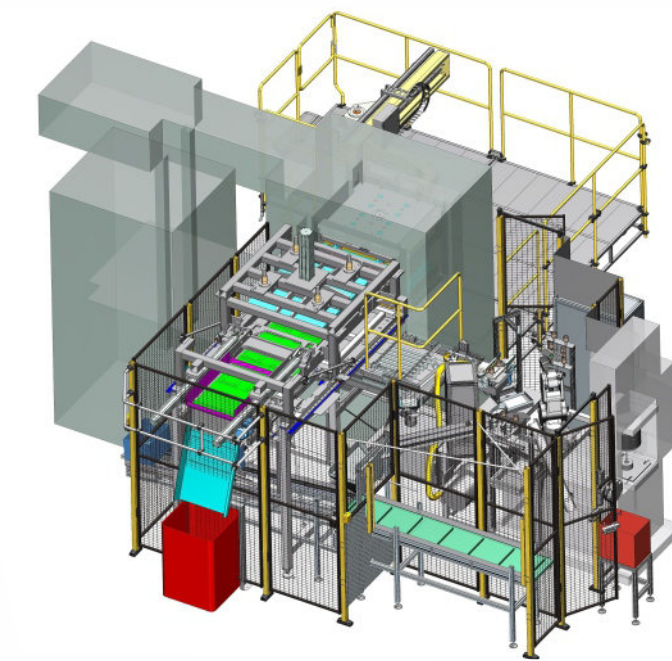
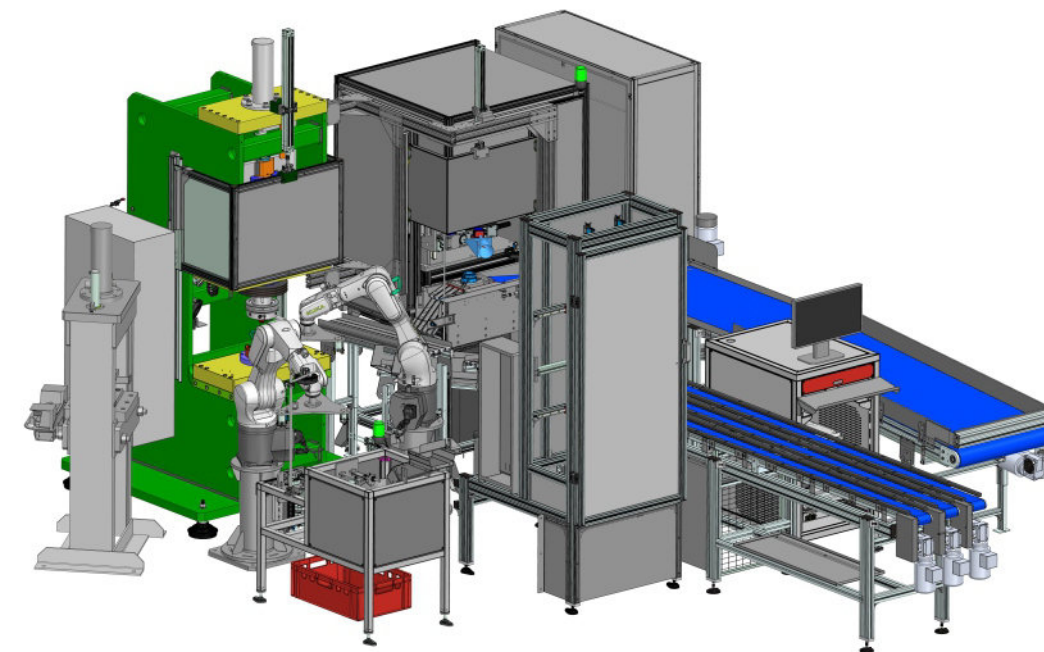




Automation and robotics

We design, manufacture and implement robotized and automated work stations according to customer's requirements.

We offer automation and robotization of existing production processes, reconstruction and modernization of used machines.



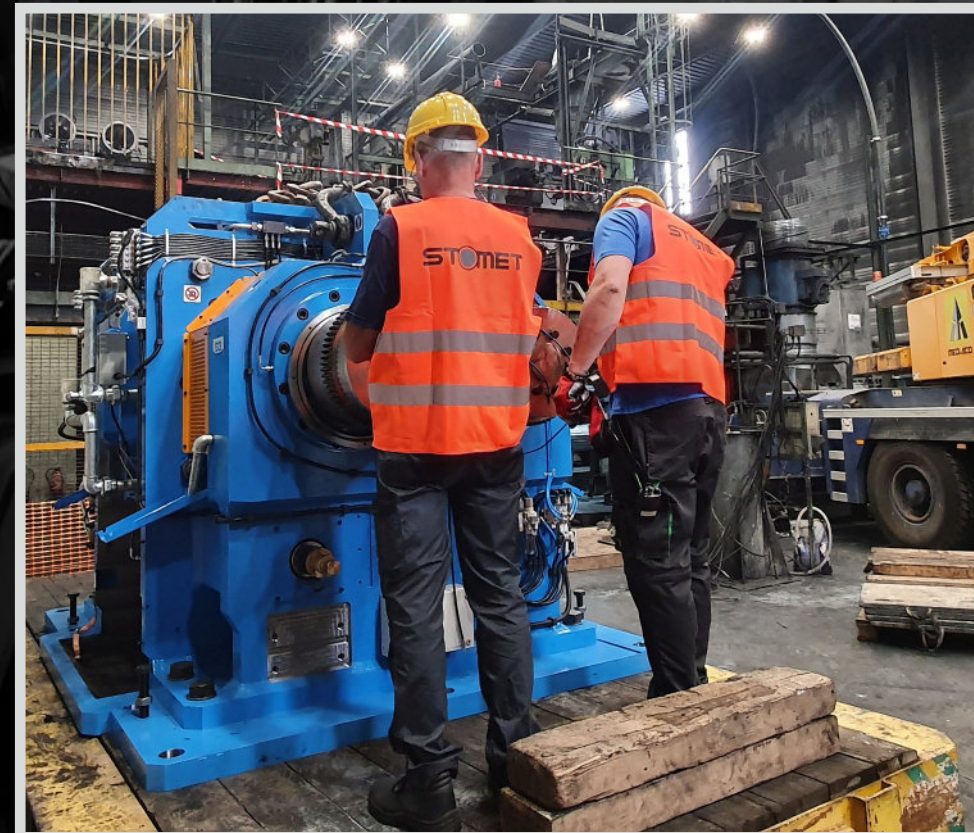


Maintenance services

We offer realisation of periodic inspections, maintenance and repairs of production means.

We specialize in maintenance of machines and devices dedicated for processing of elastomers and plastics.

We offer comprehensive service of maintenance inspections of material handling equipment with execution of resure.





Relocations and transfers

We specialize in providing expert services for the dismantling, relocation, and installation of machinery and equipment.

Our comprehensive approach ensures that projects are completed as efficiently and quickly as possible.

With a highly skilled team and the right equipment, we provide expected results every time.



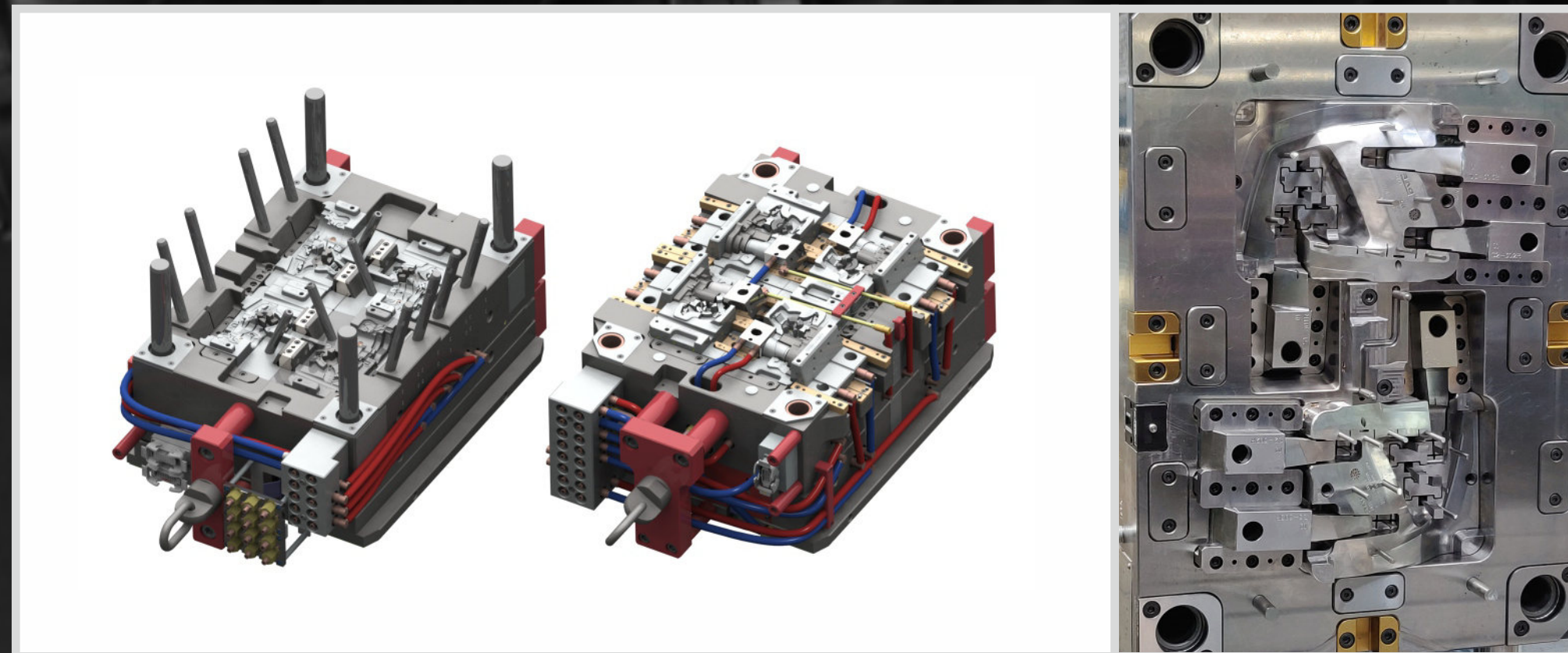


Injection molds & custom- built tools

We design and manufacture injection molds for rubber and wide range of termoplastics.

We offer proven solution for single and multi-component injection molds.

We manufacture special tools that meet specific requirements of our customers.



Quality Management

Quality management system based on the requirements of IATF 16949 and PN-EN ISO 9001 standards covers the entire STOMET company and applies to the all types of activity depending on its scope



They
trusted
us

 SANOK RUBBER

 **B W I**
GROUP
DRIVING TECHNOLOGY

 **FIBRAX**[®]

 **FICOSA**

 **GUMET**

 **H.L.**

 **plast**[®]

 Prosperplast[®]
plastic products

 **SRKP**

 **Nicols**[®]
SINCE 1947

 **ADR**
POLSKA
SYSTEM

 **JÄGER**
Gummi und Kunststoff

 **KIGS**

**They
appreciated
us**

Effects of our activity over last few years were appreciated by independent institutions



Thanks to achieved position on the market, we have received a positive recommendation and became a member of the Polish Automotive Group Association

Stomet Sp. z o. o.

ul. Reymonta 19a
38-500 Sanok, Polska

tel. +48 13 46 54 722
fax +48 13 46 54 721
biuro@stomet.pl

Metal Parts:

tel: +48 606 281 154
seryjna@stomet.pl

Molds and Tools:

tel. +48 606 281 180
formy@stomet.pl

Machinery and Equipment:

tel: +48 601 330 547
maszyny@stomet.pl

Relocations and Services:

tel: +48 601 331 681
relokacje@stomet.pl

We are looking
forward to do
business with you!

